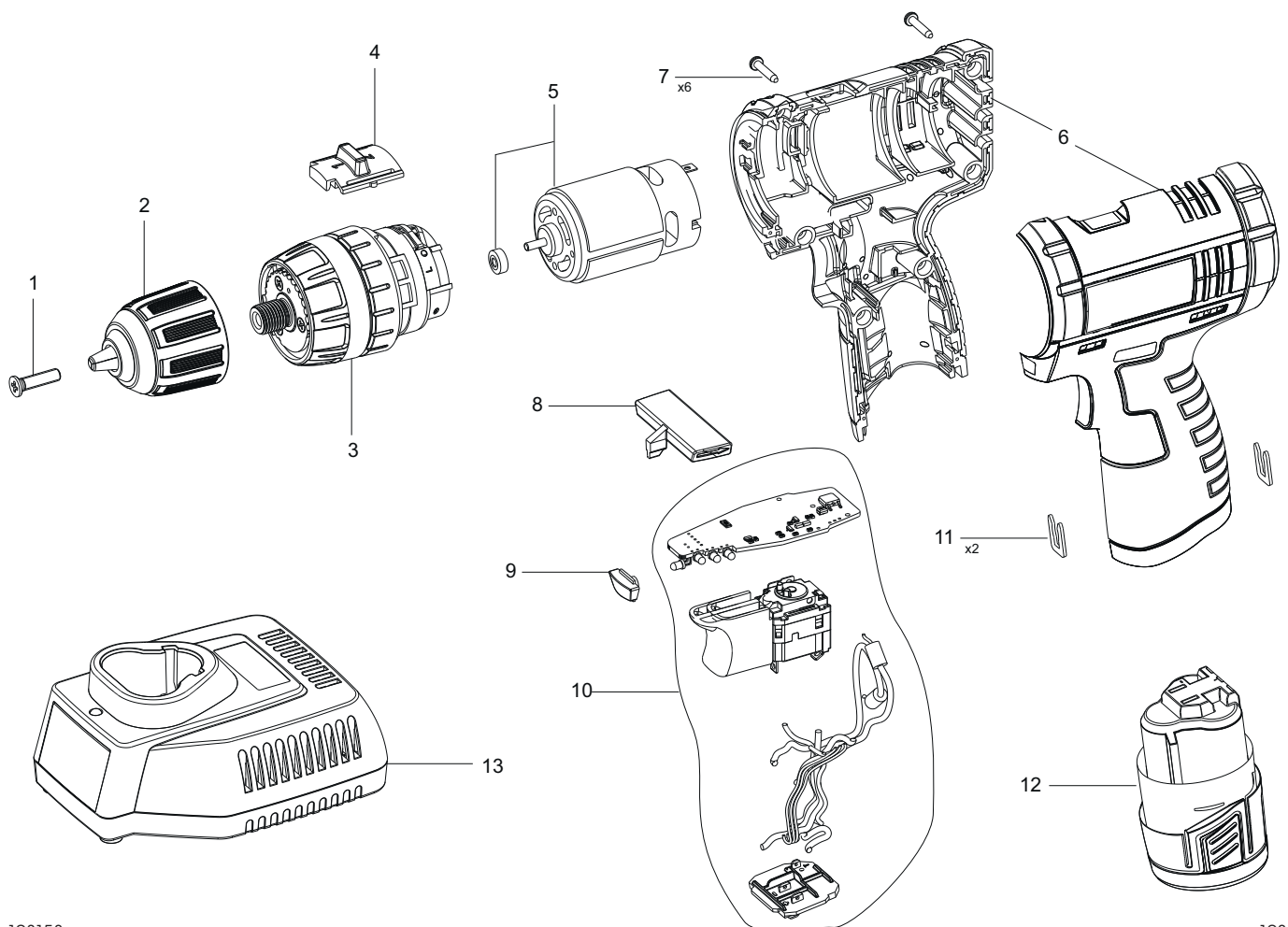


POS. No.	Ref.No.	Description	POS. No.	Ref.No.	Description
----------	---------	-------------	----------	---------	-------------

- | | | | | | |
|----|--------|------------------------------------|--|--|--|
| 1 | 361413 | Screw M5LHX20-8.8 A3A | | | |
| 2 | 142803 | Chuck set | | | |
| 3 | 142736 | Reduktor set | | | |
| 4 | 142739 | Switch knob | | | |
| 5 | 142801 | DC motor sub Ass'y | | | |
| 6 | 142757 | Casing set BUR2 /SP | | | |
| 7 | 361247 | Screw K3x15 TORX 10 | | | |
| 8 | 142745 | Reve ing Actuator | | | |
| 9 | 142744 | Screen | | | |
| 10 | 142742 | PCB+switch set | | | |
| 11 | 142753 | Bracket | | | |
| 12 | 103095 | Battery pack ass'y BL 1215 - 1.5Ah | | | |
| 12 | 103092 | Battery pack ass'y BL 1220 - 2.0Ah | | | |
| 13 | 103099 | Charger.ass'y/ 12V - 2.0Ah | | | |



103153

103152